

General Information

Inspect the product immediately upon receipt for transit damage, missing packs/parts or manufacturing fault. Damage reported later will not be accepted. Handle the product with care avoiding knocks and shock loading to all sides and edges of the glass.

Notes: Safety glass can not be re-worked.

Read these instructions carefully before start of installation.

Special care should be taken when drilling walls to avoid hidden pipes or electrical cables.

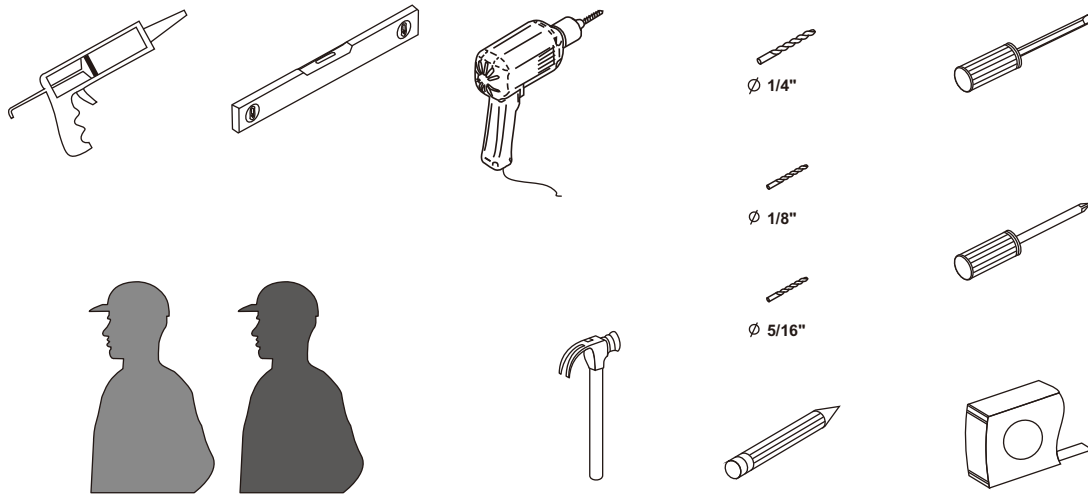
Note: This product is heavy and may require two people to install.

Aftercare instructions

After use, your shower should be cleaned with soap and water. This is particularly important in hard water districts where insoluble lime salts maybe deposited and allowed to build up. Cleaners of a gritty or abrasive nature should not be used. Care should be taken to avoid contact with strong chemicals, they can be used but with caution, if in doubt contact the manufacturer of the cleaner in question.

Keep these instructions for aftercare and customer service details.

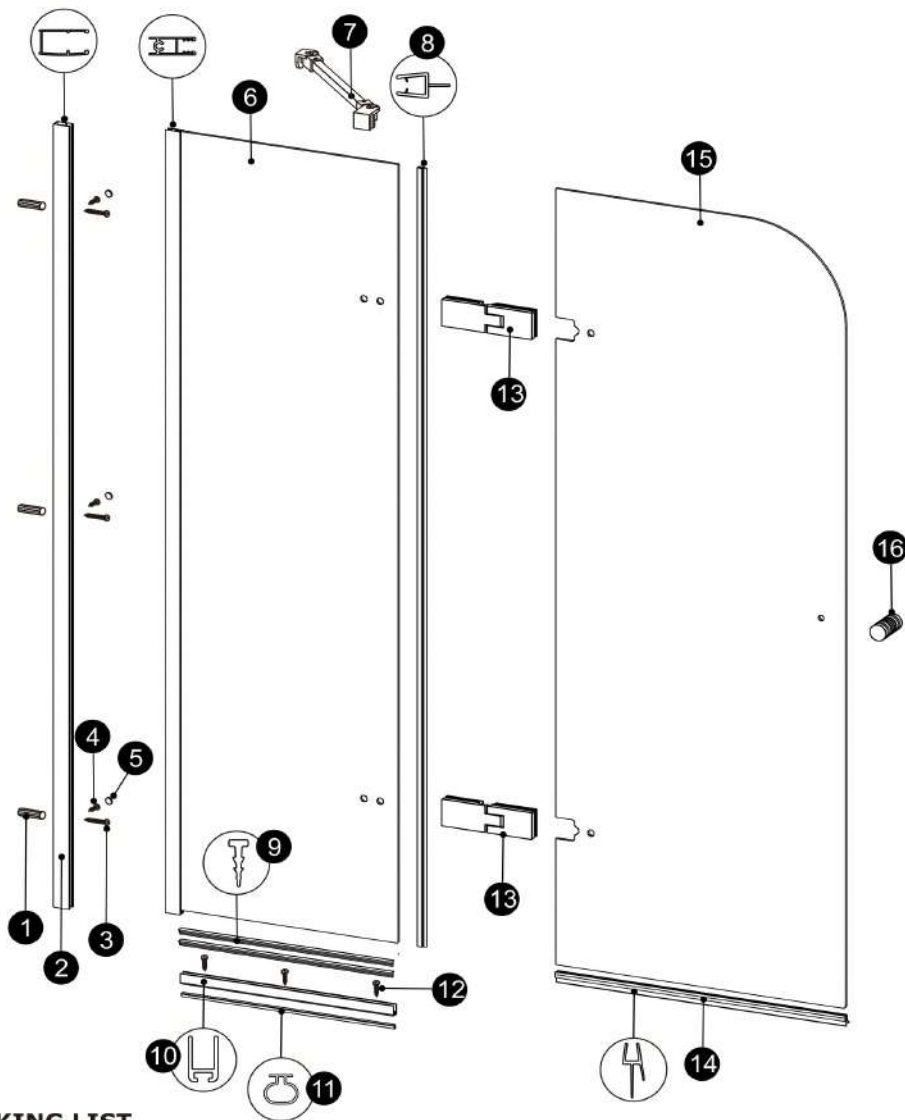
Tools Required



This product is heavy and may require two people to install.



◆ **Assembly Drawing**

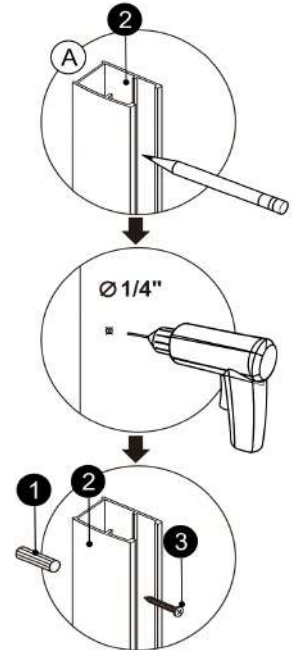
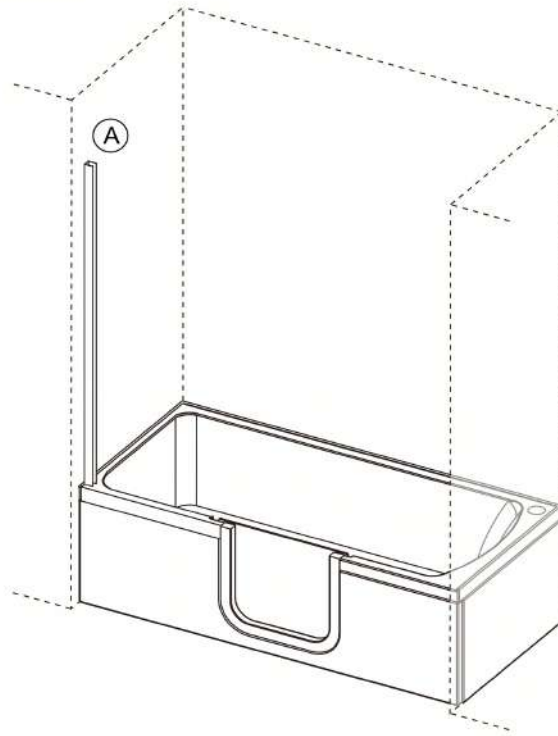


PACKING LIST

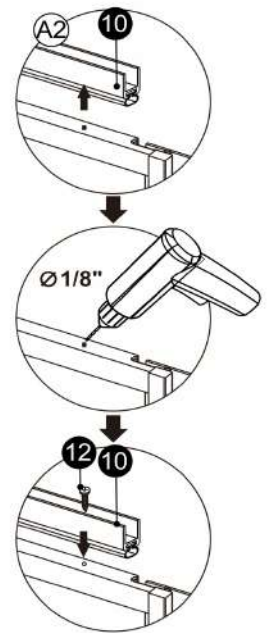
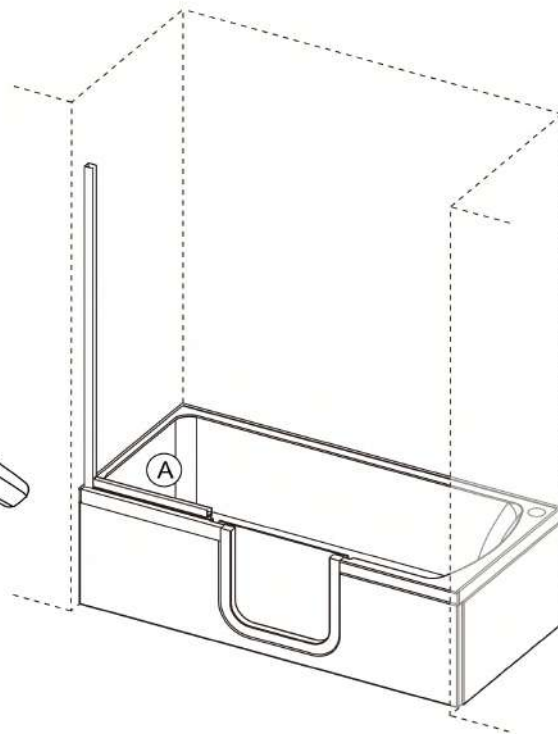
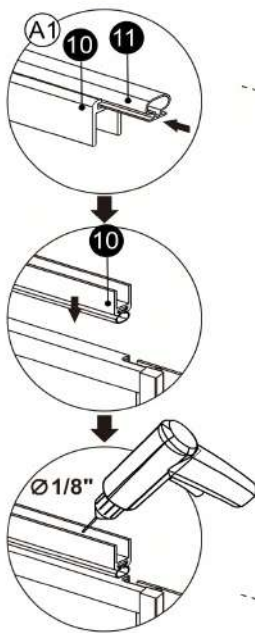
| PART # | DESCRIPTION | Q'TY | PART # | DESCRIPTION | Q'TY |
|--------|-------------------|------|--------|------------------------|-------|
| 1 | Wall Plugs | 3pcs | 9 | Gasket-B | 2pcs |
| 2 | Wall Jamb | 1pc | 10 | Bottom Aluminium Frame | 1pc |
| 3 | Screws ST4x1 3/8" | 3pcs | 11 | Gasket-C | 1pc |
| 4 | Screws ST4x3/8" | 3pcs | 12 | Screws ST4x5/8" | 3pcs |
| 5 | Screw Caps | 3pcs | 13 | Hinge | 2sets |
| 6 | Fixed Panel | 1pc | 14 | Gasket-D | 1pc |
| 7 | Support Bar | 1set | 15 | Door Panel | 1pc |
| 8 | Gasket-A | 1pc | 16 | Knob | 1pc |

◆ **Installation Steps**

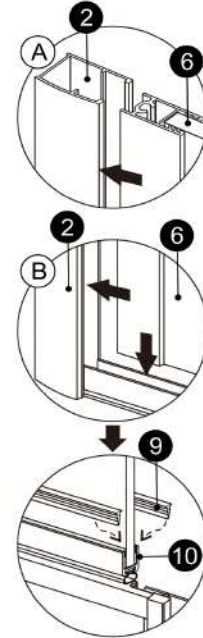
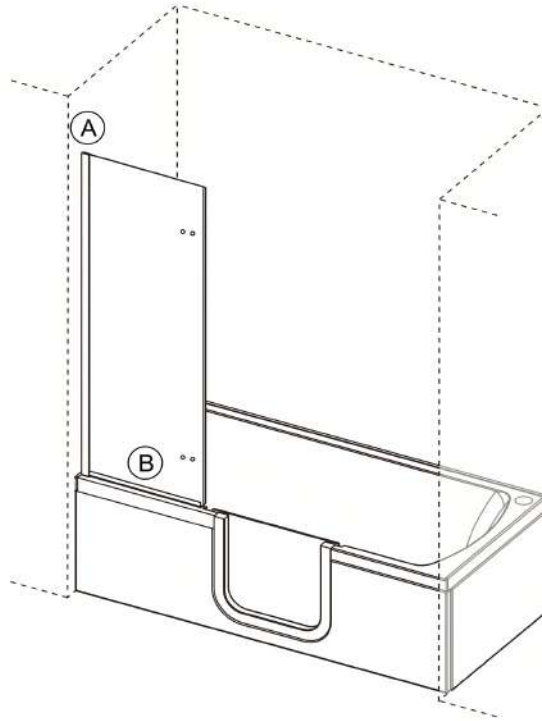
Step 1



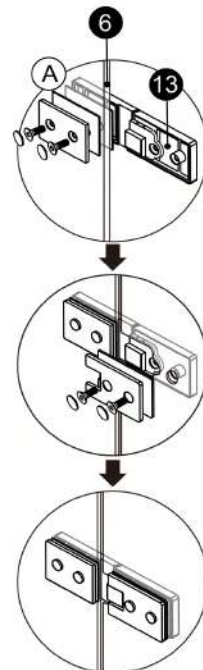
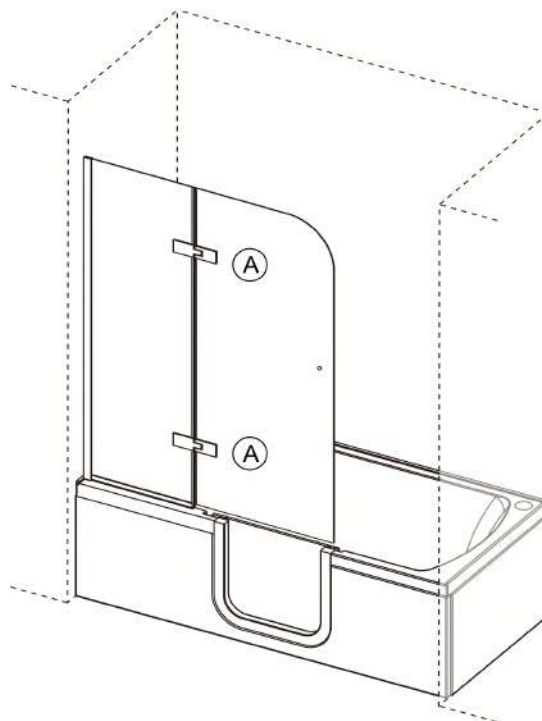
Step 2



Step 3

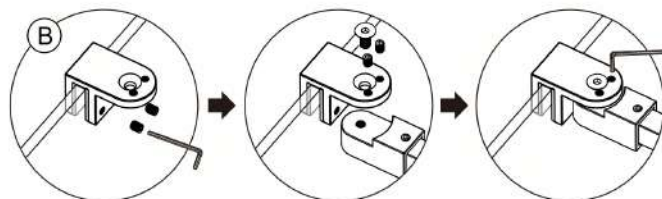
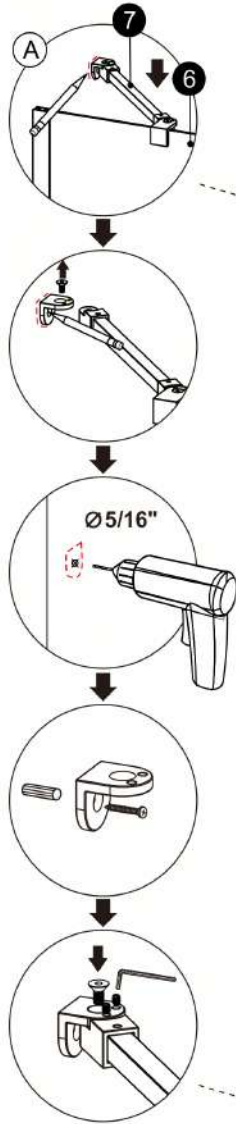
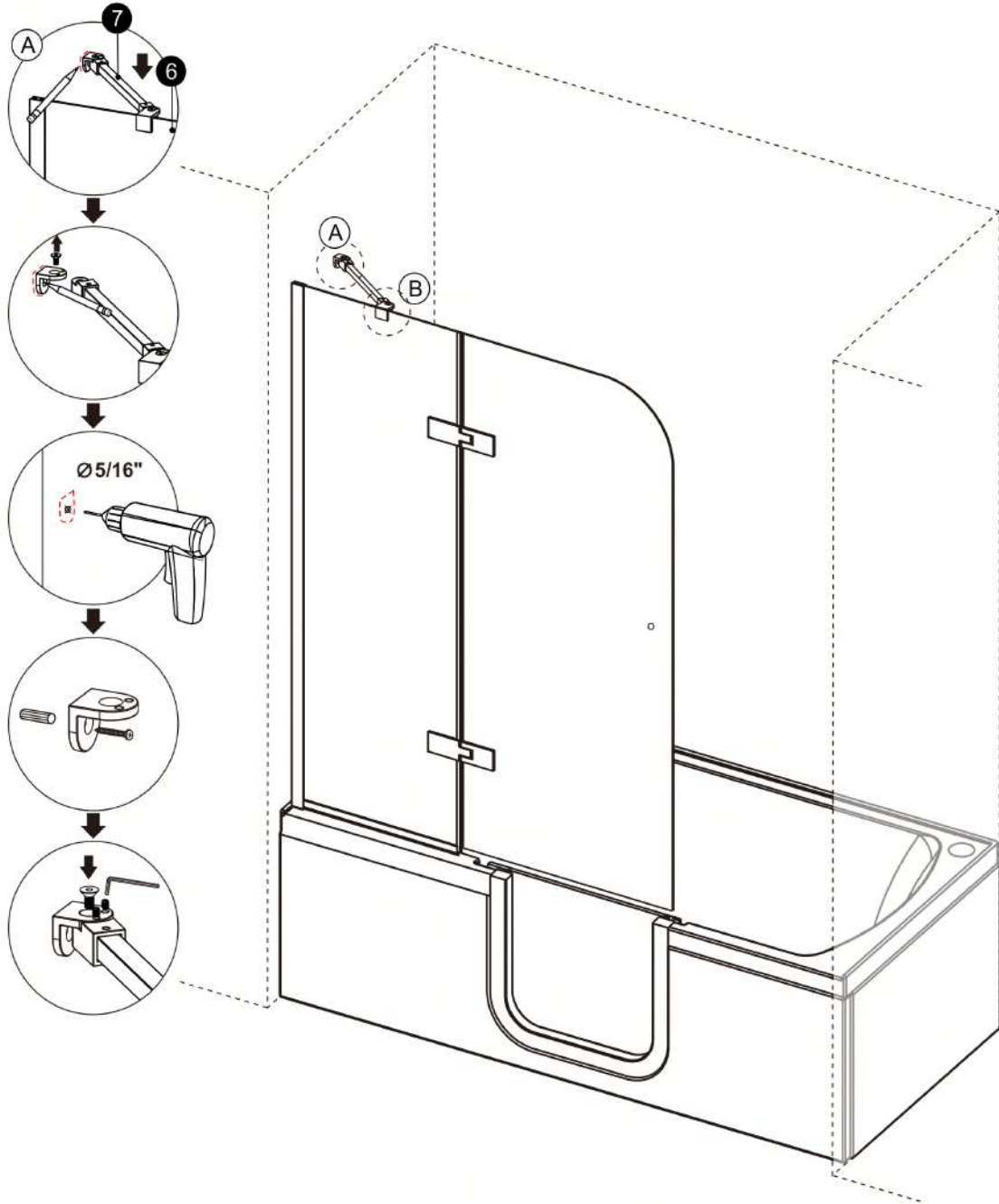


Step 4



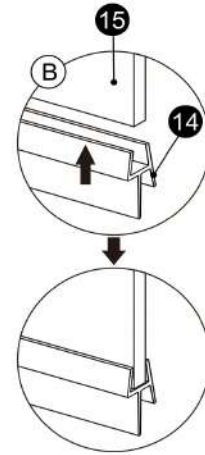
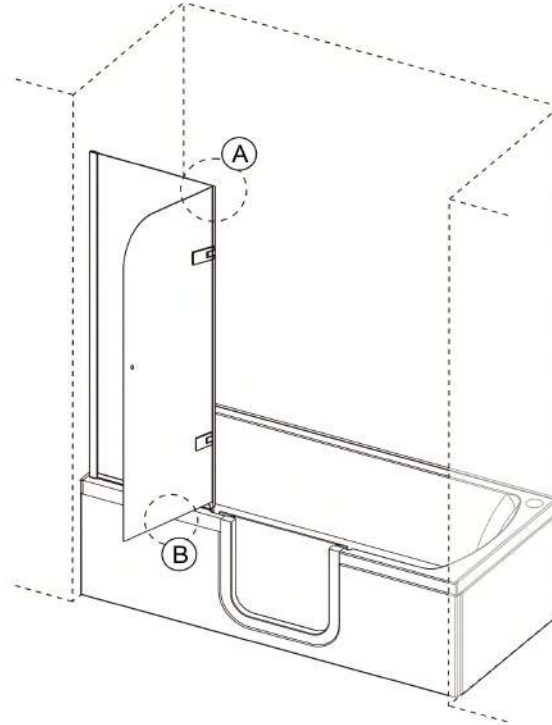
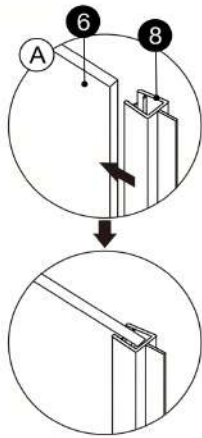
View from inside

Step 5

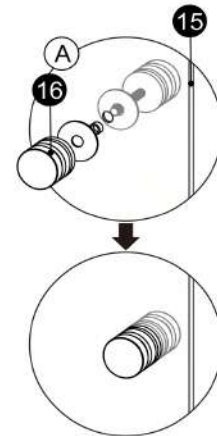
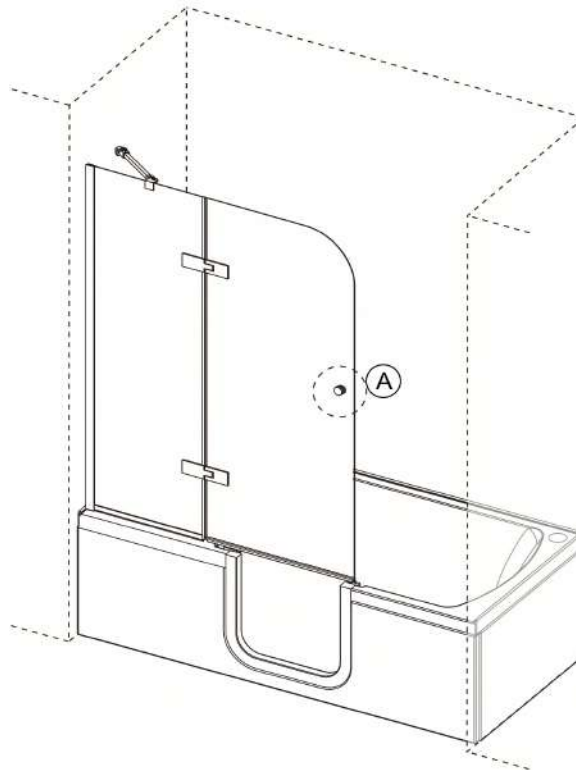


View from inside

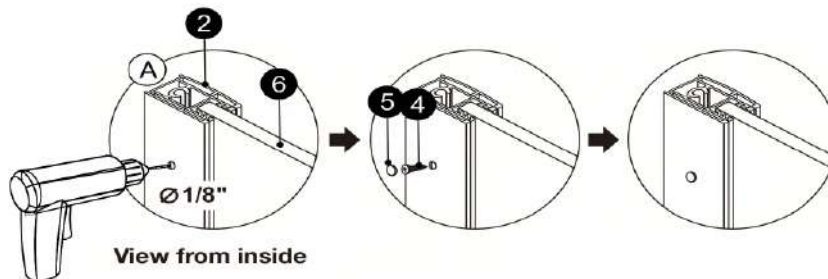
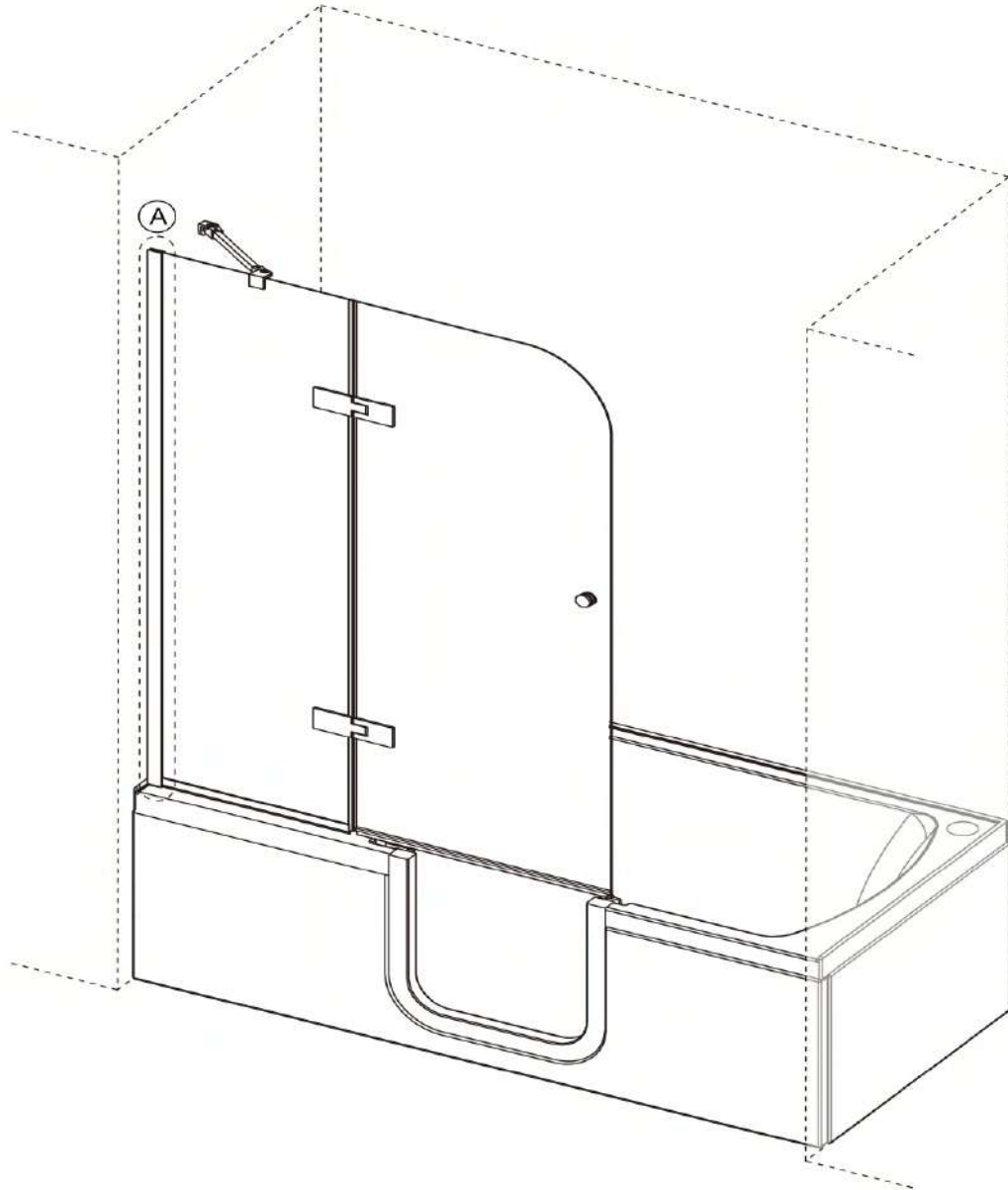
Step 6



Step 7



Step 8

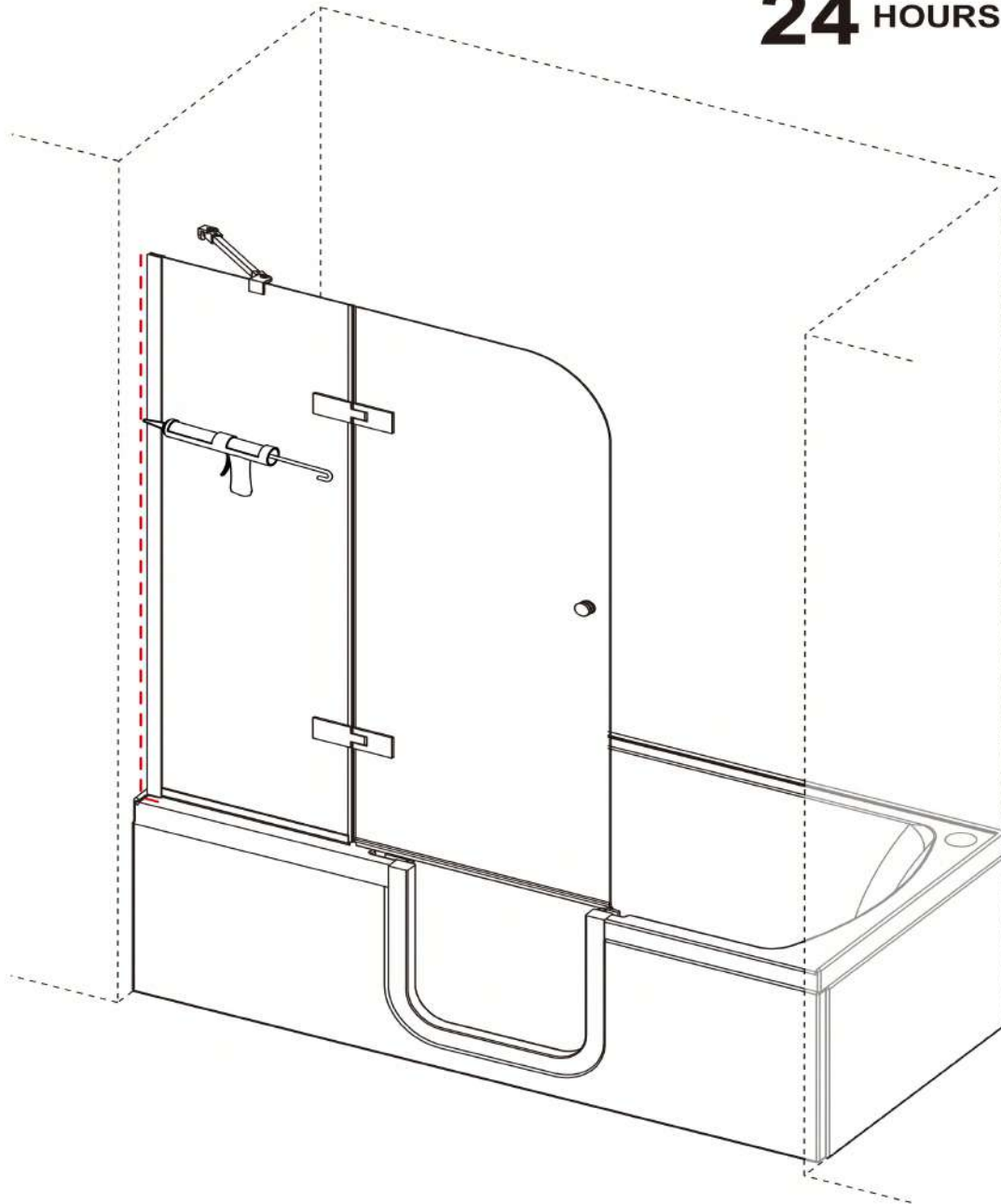


View from inside

Step 9



24 HOURS



Laydown Tub Shower Screen Install

Glass shower screen needs to align with glass door below to prevent leaks



The gasket needs to point inward towards the tub

